



Model: WS RF FOR C4 T5 11"
BLACK/UNPAINTED

Family: WALL-SMART

DWG NO. 007-4RA45-SPC



Model No.: 007-1RA45-BL/-WO

PRODUCT SPEC.

REVISION A

DATE 05/Mar./2026

Make Your Wall Smart

“WS RF FOR C4 T5 11” BLACK /UNPAINTED” - Product description:

The “WS RF FOR C4 T5 11” is an adapter for in-wall nearly flush retrofit installation of Control4 T5IW11 touch screen. The “WS RF FOR C4 T5 11” firmly mounts the touch screen while allowing easy insertion, removal and operation.

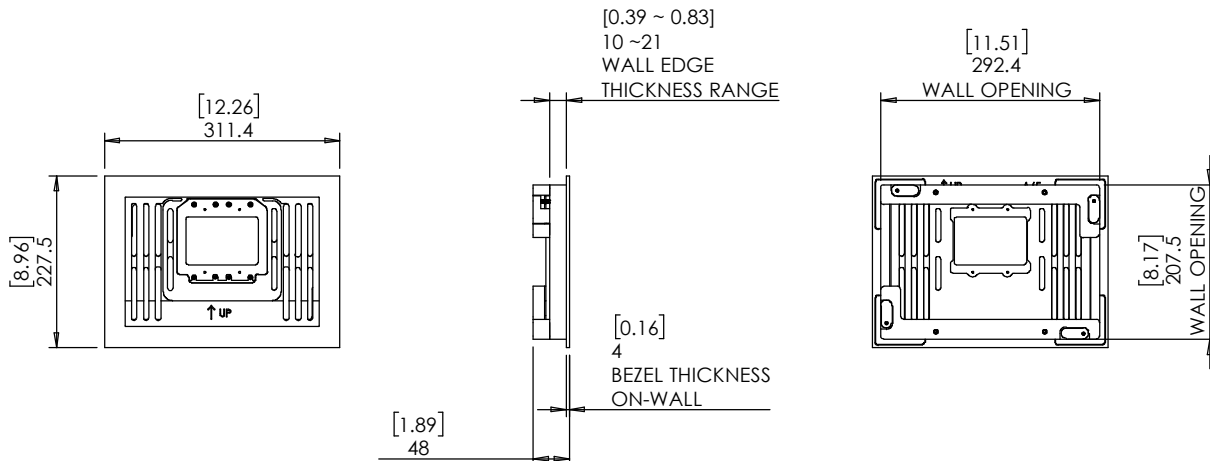
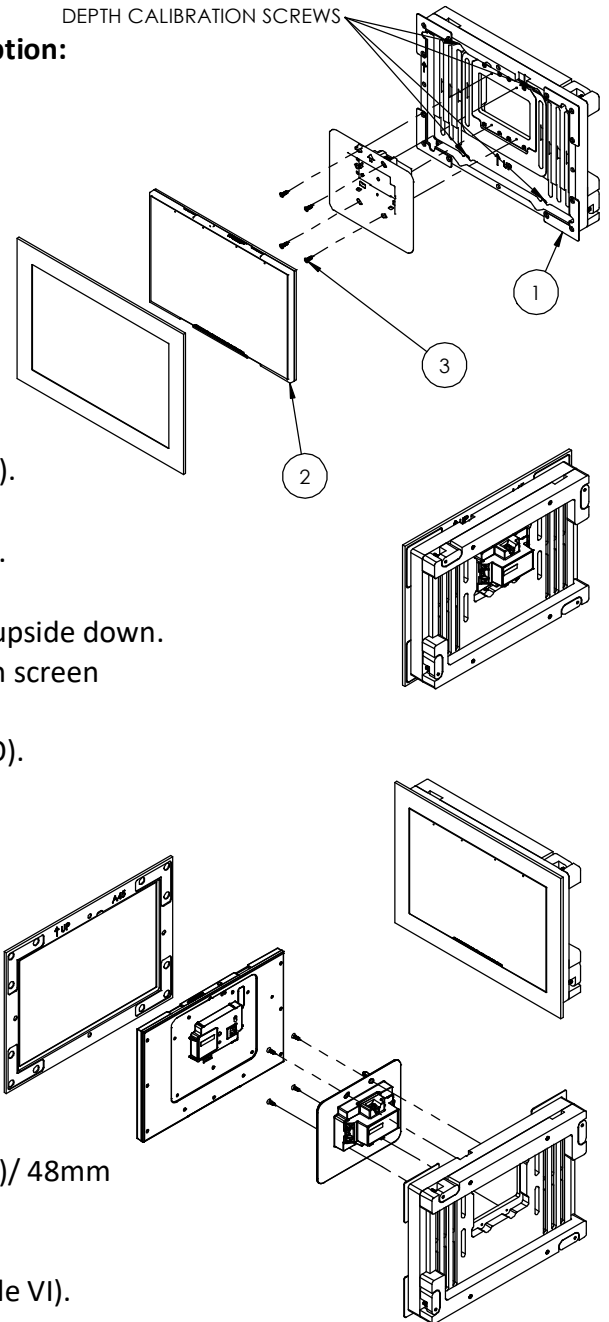
Key features and benefits:

- Nearly flush with the wall (4mm [0.16”] thick on-wall bezel).
- Wall mount contains depth calibration screws.
- Designed for both line-voltage and low-voltage installation.
- Board thickness 10mm[0.39”] up to 21mm[0.83”].
For boards up to 32mm[1.25”] thick, reinstall cam latches upside down.
- Designed for the use with Control4 T5IW11” MB/WH touch screen (Control4 T5IW11” MB/WH touch screen is not included).
- The bezel is supplied painted black (-BL) or unpainted (-WO).
- Adapter kit contains:

1. Wall adapter (X1)
2. Bezel (X1)
3. ST3.5x13 screws (X4)

Key properties:

- Dimensions: (W/H/D): 311.4mm (12.26”)/ 227.5mm (8.96”)/ 48mm (1.89”)
- Weight: 0.9Kg, 1.98lbs.
- Material: Moisture resistant MDF (compliant with TSCA Title VI).





Model: WS RF FOR C4 T5 11"
BLACK/UNPAINTED

Family: WALL-SMART

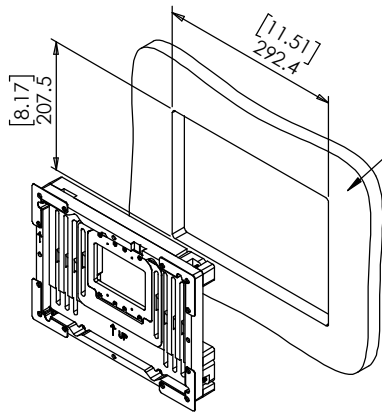
DWG NO. 007-4RA45-SPC

Model No.: 007-1RA45-BL/-WO

PRODUCT SPEC.

REVISION A

DATE 05/Mar./2026

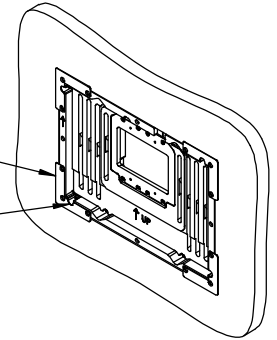
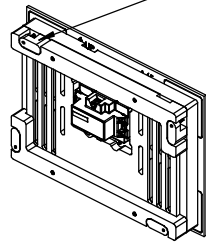


1. CUT OPENING - BOARD THICKNESS 10mm [0.39"]
UP TO 21mm [0.83"] (FOR BOARDS UP TO
32mm [1.25"] THICK, REINSTALL CAM LATCHES
UPSIDE DOWN.

2. ROUTE NECESSARY CABLES

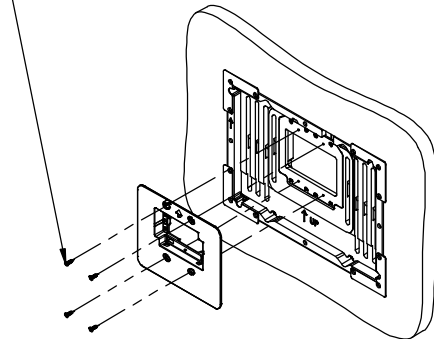
3. INSERT WALL MOUNT BASE

4. GENTLY SCREW CLOCKWISE 4
RETENTION SCREWS UNTIL CAM
LATCHES RETAIN THE UNIT



Low voltage installation

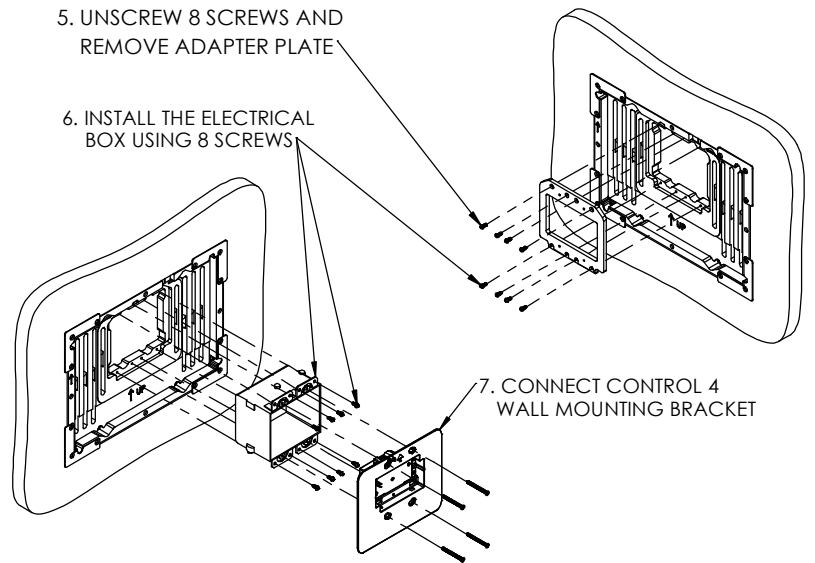
5. CONNECT CONTROL4 WALL
MOUNTING BRACKET TO THE
MOUNT USING 4 SCREWS (ITEM 3)



Line voltage installation

5. UNSCREW 8 SCREWS AND
REMOVE ADAPTER PLATE

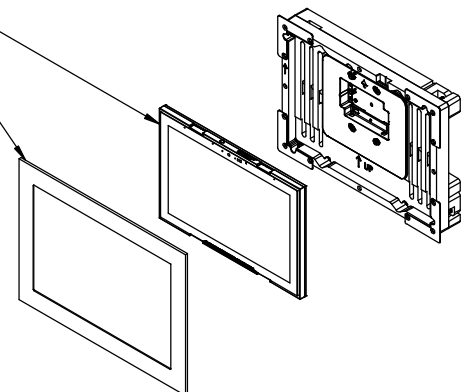
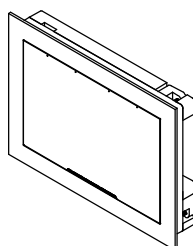
6. INSTALL THE ELECTRICAL
BOX USING 8 SCREWS



7. CONNECT CONTROL 4
WALL MOUNTING BRACKET

8. INSERT THE SCREEN TO MOUNT

9. ATTACH BEZEL (MAGNETICALLY)



REBOOT BUTTON

