



Model: WS NC FOR C4 T5 11"

Family: WALL-SMART

DWG NO. 007-4NA43-SPC

Model No.: 007-1NA43

PRODUCT SPEC.

REVISION A

DATE 15/Feb./2026



Make Your Wall Smart

"WS NC FOR C4 T5 11"" - Product description:

The "WS NC FOR C4 T5 11"" is a wall adapter for in-wall flush installation of Control4 T5IW11 touch screen. The "WS NC FOR C4 T5 11" firmly mounts the touch screen while allowing easy insertion, removal and operation.

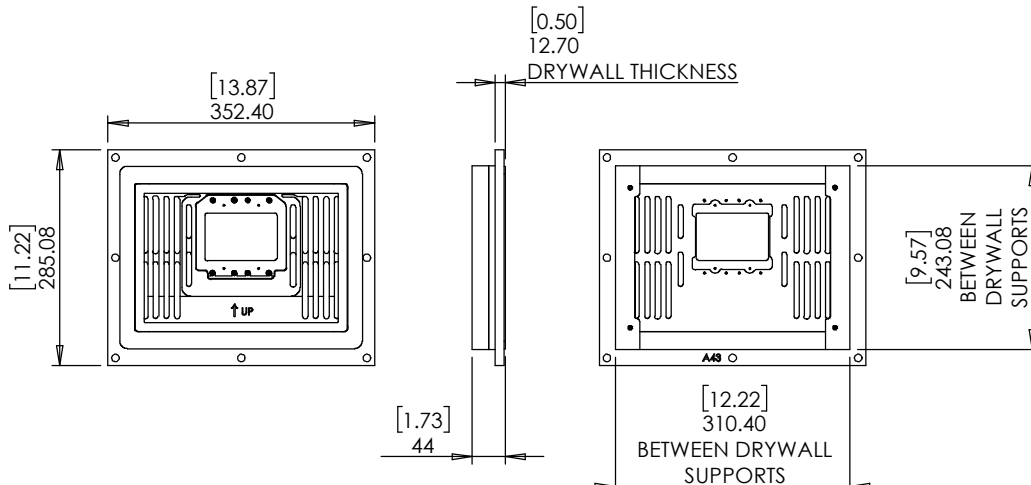
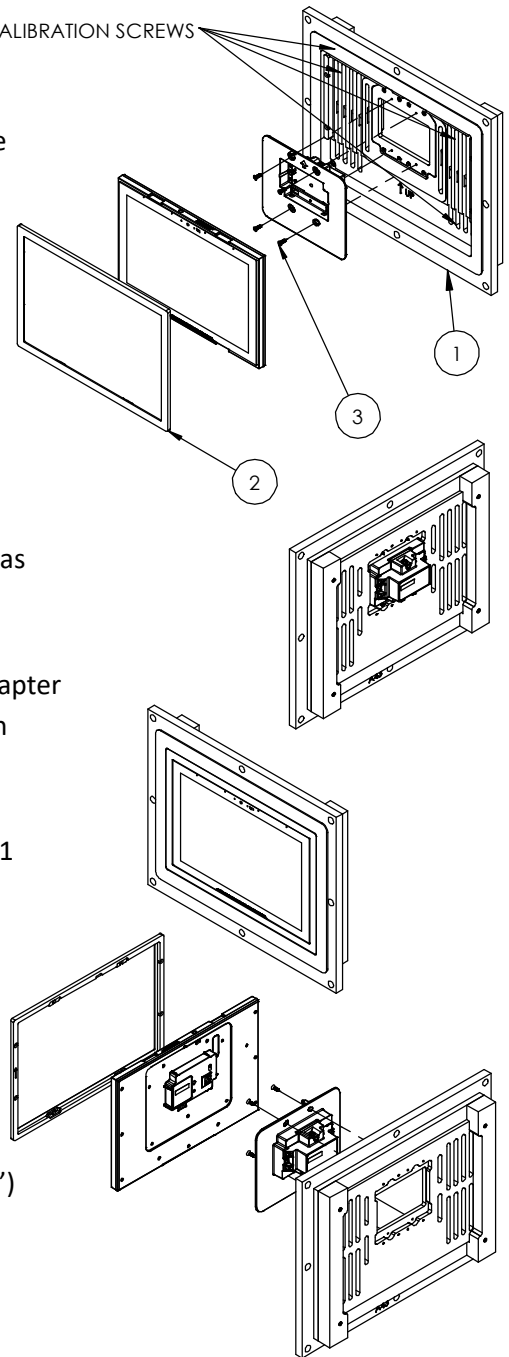
Key features and benefits:

- Flush with the wall.
- Paintable with the wall paint in any color and texture.
- Includes depth calibration mechanism
- Designed for both high and low-voltage installation.
- The wall adapter is supplied unpainted (To be painted after installation as part of the wall).
- Allows easy insertion and removal of Control4 T5IW11 touch screen.
- Designed to be installed in 1/2" drywall. Installation of the Wall-Smart adapter is straight-forward. Installation process is similar to drywall construction procedures. Before installation, read Wall-Smart installation instruction 10-04-00101-INS in <http://www.wallsmart.com/faq>
- Designed for the use of Control4 T5IW11 touch screen (Control4 T5IW11 touch screen is not included).
- Adapter kit contains:
 1. Wall adapter (X1)
 2. Faceplate (X1)
 3. ST3.5x13 screws (X4)

Key properties:

- Dimensions: (W/H/D): 352.4mm (13.87")/ 285.08mm (11.22")/ 44(1.73")
- Power Supply: None (manual adapter).
- Weight: 1.1Kg, 2.42lbs.
- Material: Moisture resistant MDF (compliant with TSCA Title VI)

DEPTH CALIBRATION SCREWS





Model: WS NC FOR C4 T5 11"

Family: WALL-SMART

DWG NO. 007-4NA43-SPC

Model No.: 007-1NA43

PRODUCT SPEC.

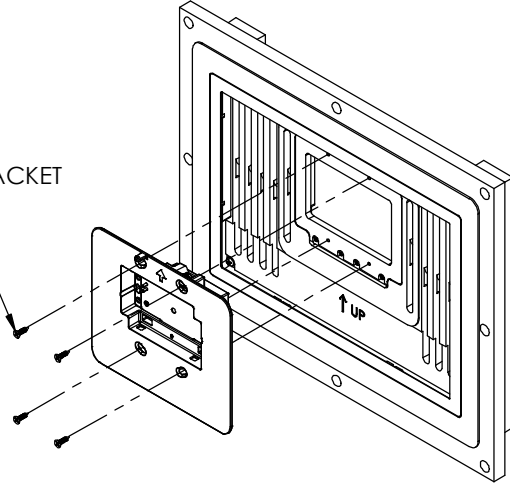
REVISION A

DATE 15/Feb./2026

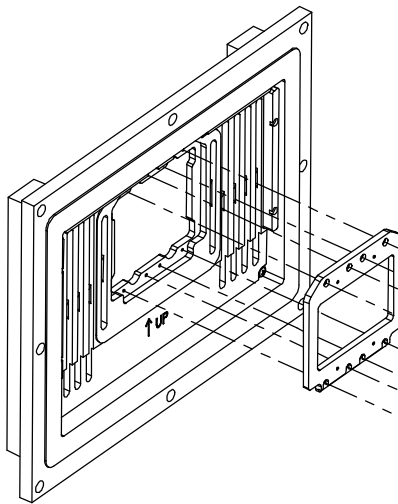


Low Voltage installation

1. CONNECT CONTROL4 WALL MOUNTING BRACKET TO THE MOUNT USING 4 SCREWS (ITEM 3)



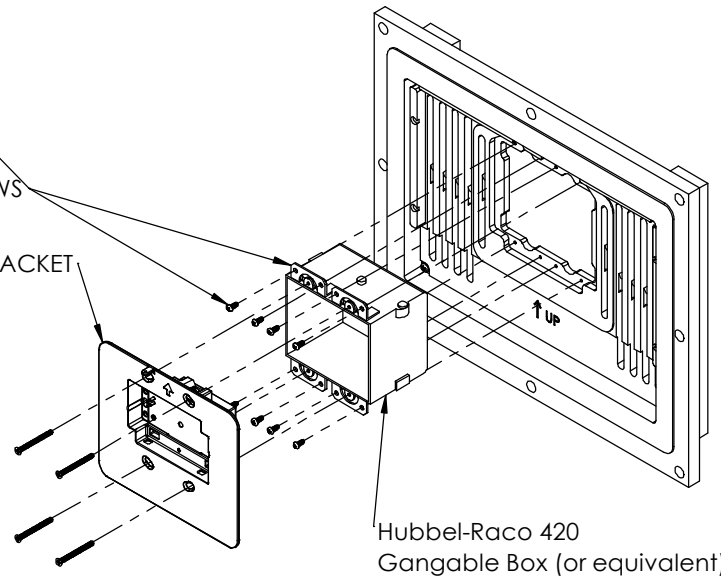
Line Voltage installation



1. UNSCREW 8 SCREWS AND REMOVE ADAPTER PLATE

2. INSTALL THE ELECTRICAL BOX USING 8 SCREWS

3. CONNECT CONTROL 4 WALL MOUNTING BRACKET



REBOOT BUTTON

