



Model: WS NC FOR C4 T5 8"

Family: WALL-SMART

DWG NO. 007-4NA40-SPC

Model No.: 007-1NA40

PRODUCT SPEC.

REVISION A

DATE 15/Feb./2026



### Make Your Wall Smart

#### “WS NC FOR C4 T5 8” - Product description:

The “WS NC FOR C4 T5 8” is a wall adapter for in-wall flush installation of Control4 T5IW8 touch screen. The “WS NC FOR C4 T5 8” firmly mounts the touch screen while allowing easy insertion, removal and operation.

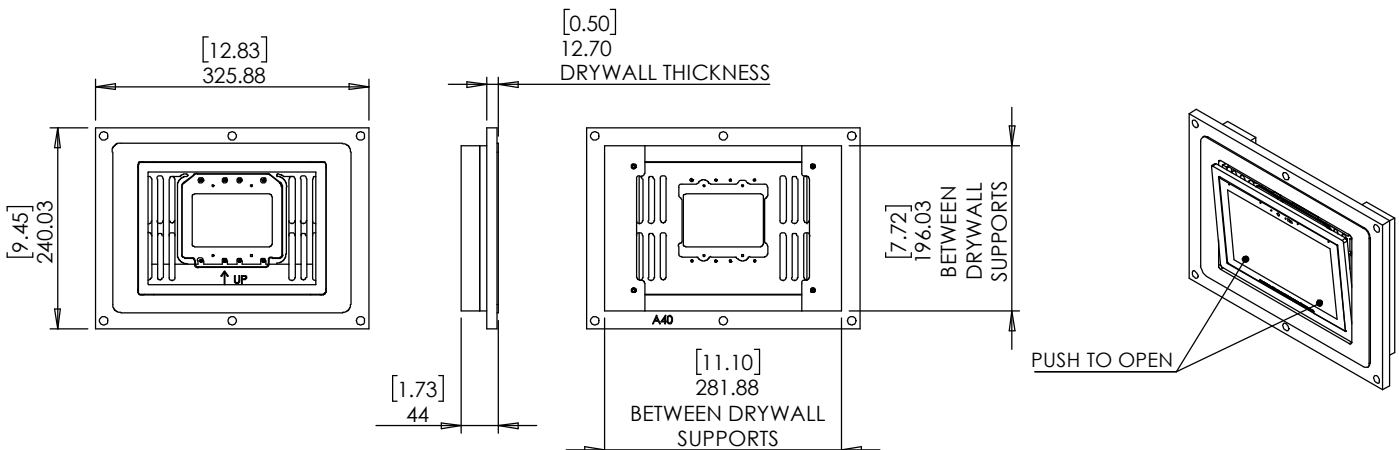
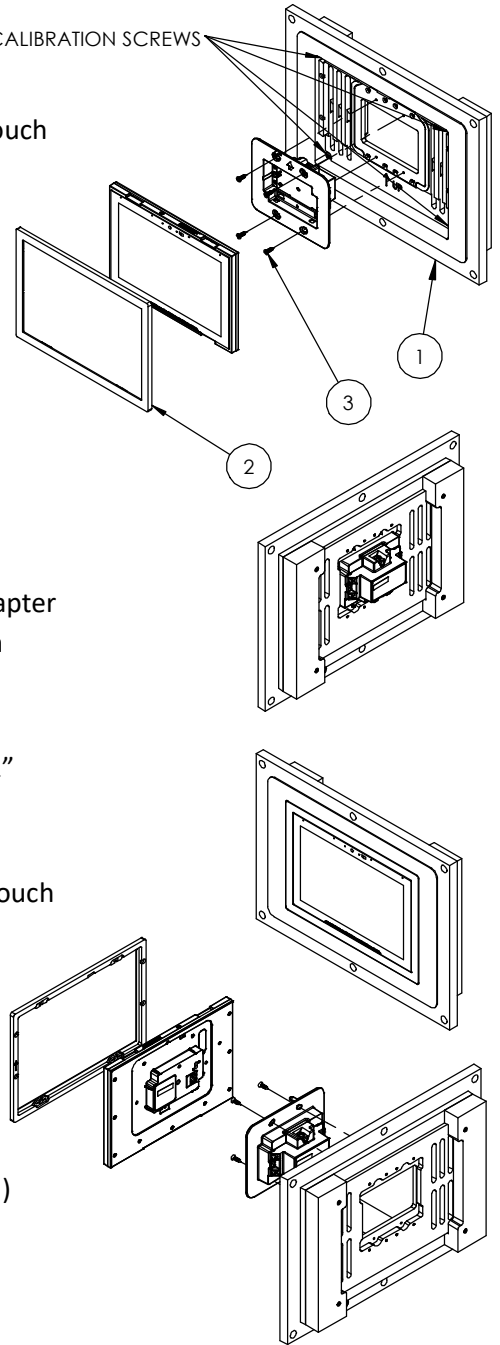
#### Key features and benefits:

- Flush with the wall.
- Paintable with the wall paint in any color and texture.
- Includes depth calibration mechanism
- Designed for both high and low-voltage installation.
- The wall adapter is supplied unpainted (To be painted after installation as part of the wall).
- Allows easy insertion and removal of Control4 T5IW8 touch screen.
- Designed to be installed in ½” drywall. Installation of the Wall-Smart adapter is straight-forward. Installation process is similar to drywall construction procedures. Before installation, read Wall-Smart installation instruction 10-04-00101-INS in <http://www.wall-smart.com/faq>
- For installation in concrete/block wall use “WS CONCRETE BOX 328X242” P/N 100-1-789 (sold separately) according installation instruction 10-04-00103-INS in <http://www.wall-smart.com/faq>
- Designed for the use of Control4 T5IW8 touch screen (Control4 T5IW8 touch screen is not included).
- Adapter kit contains:
  1. Wall adapter (X1)
  2. Faceplate (X1)
  3. ST3.5x13 screws (X4)

#### Key properties:

- Dimensions: (W/H/D): 325.88mm (12.83")/ 240.03mm (9.45")/ 44(1.73")
- Power Supply: None (manual adapter).
- Weight: 0.9Kg, 1.98lbs.
- Material: Moisture resistant MDF (compliant with TSCA Title VI)

DEPTH CALIBRATION SCREWS





Model: WS NC FOR C4 T5 8"

Family: WALL-SMART

DWG NO. 007-4NA40-SPC

Model No.: 007-1NA40

PRODUCT SPEC.

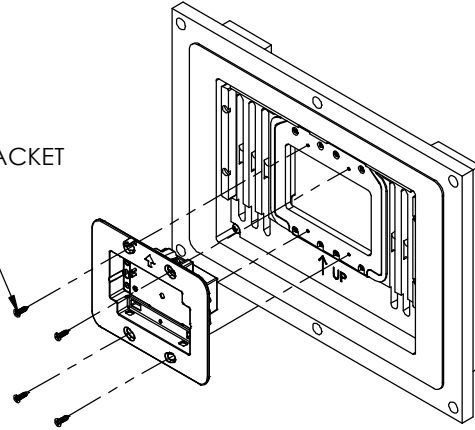
REVISION A

DATE 15/Feb./2026

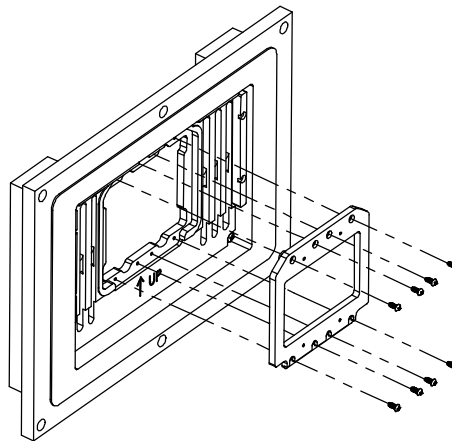


## Low Voltage installation

1. CONNECT CONTROL4 WALL MOUNTING BRACKET TO THE MOUNT USING 4 SCREWS (ITEM 3)



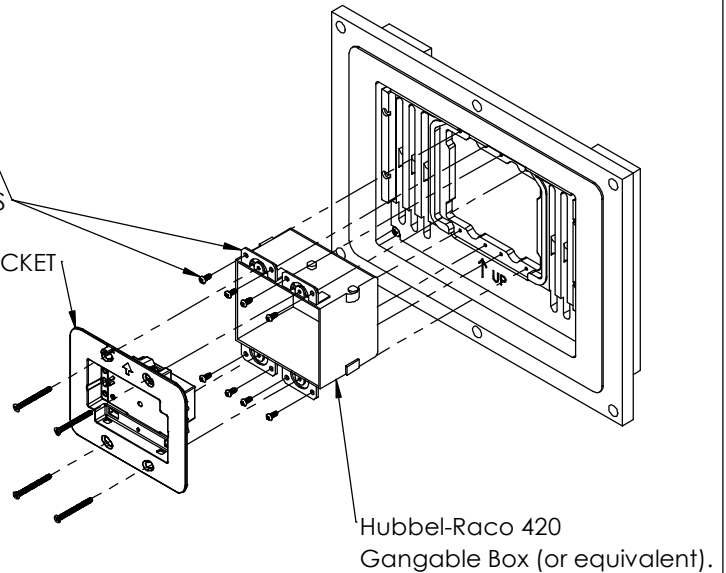
## Line Voltage installation



1. UNSCREW 8 SCREWS AND REMOVE ADAPTER PLATE

2. INSTALL THE ELECTRICAL BOX USING 8 SCREWS

3. CONNECT CONTROL 4 WALL MOUNTING BRACKET



REBOOT BUTTON

