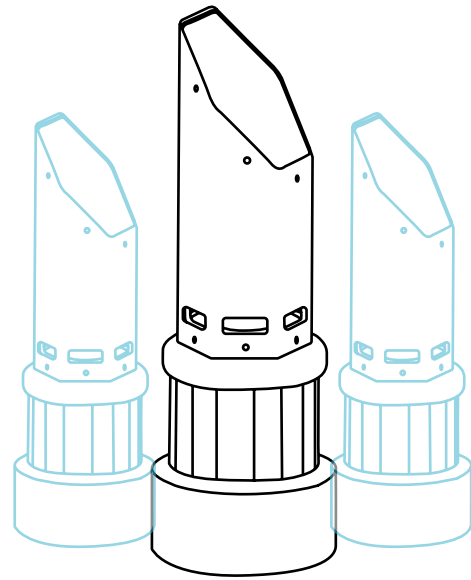


Thank you for purchasing your CBG5 landscape speaker from Rockustics®. Cherry Bomb's patented three-way design includes a 5" dual-chamber, band-pass subwoofer, a 4" woofer and a .75" tweeter all in one. When properly installed, these speakers will provide years of listening enjoyment. If you have any questions that are not answered in the following directions, please contact your local sound contractor or the SoundTube® technical support team.

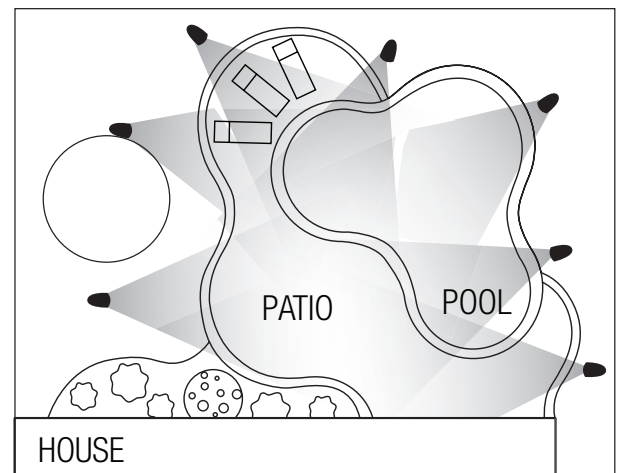
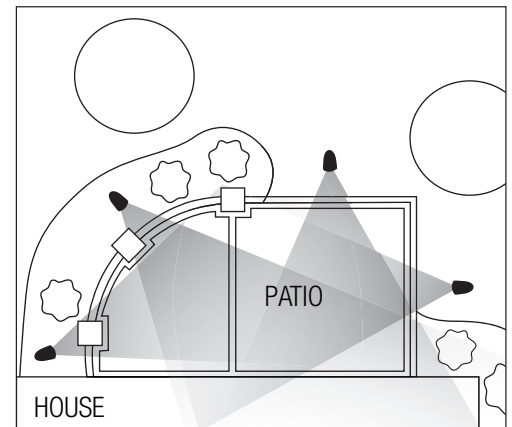


Site Preparation

There are several factors to consider when choosing burial locations for your CBG5 landscape speaker:

- 1) The speakers are designed to be partially buried in the ground, but the CBG5 unit can also be installed by simply sitting on its base above ground.
- 2) The CBG5 speaker is a full-range system with integrated subwoofer. Plan the speaker locations to provide even audio coverage and attempt to keep an even distance between each of the CBG5 speakers.
- 3) It is preferred to place the CBG5 speakers around, or near the perimeter of the listening area.
- 4) There should be a direct line of sight from the speaker to the listening area.
- 5) Position each speaker so they are all approximately the same distance away from the listening area.
- 6) Do not place the speakers in areas that are prone to flooding with standing water.
- 7) The speakers should not be positioned directly in front of, or in direct spray from sprinklers.

We cannot anticipate or accommodate every possible installation configuration. Trial and error methods may have to be employed to achieve acceptable audio dispersion. Included are some typical installation layouts for your reference.



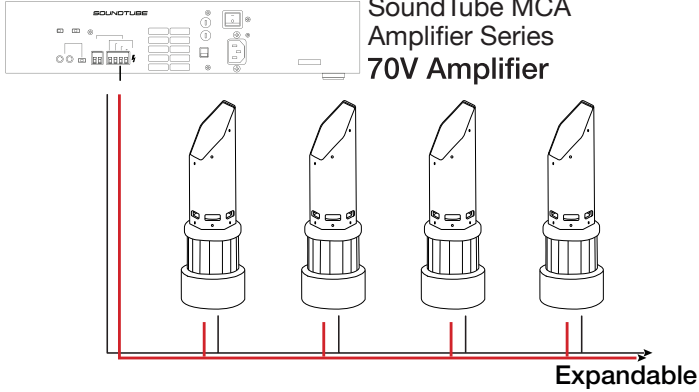


Cherry Bomb Galaxy (CBG5)

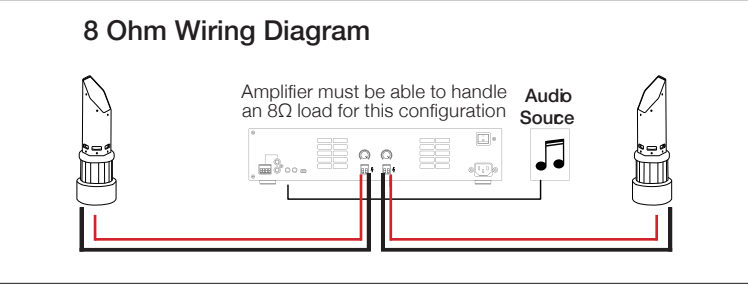
Tap Selection

The CBG5 speakers all come equipped with high voltage (70.7V/100V) transformers and may also be run in an 8Ω direct mode. The CBG5 comes with a rotary switch with three-position selectable tap switch for toggling between 70.7V/100V taps of 32W and 64W, and the 8Ω transformer bypass options.

70V Wiring Diagram



8 Ohm Wiring Diagram



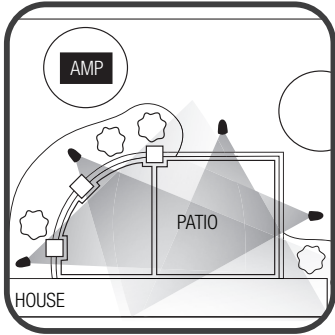
Speaker Installation

Rockustics recommends using either 14 gauge or 16 gauge direct-burial wire. It is best to lay out the wire to each of the intended speaker locations before installing the speakers.

Step-by-Step Setup

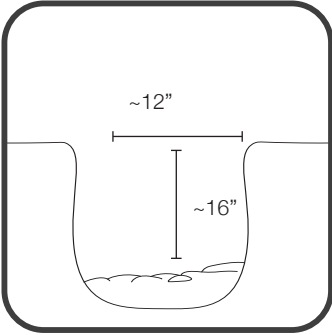
1. Layout Design

Determine the layout of your system. Place each speaker in the general location it will be installed. Also place your amplifier where it will be installed.



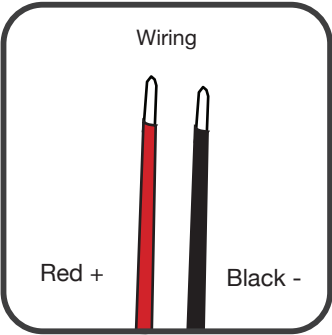
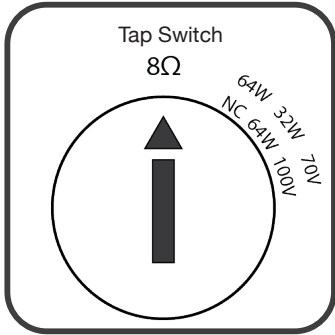
2. Digging

Dig a hole sufficient to bury the speaker(s) to the correct depth (noted above) and to also accommodate 2-3" of gravel or crushed rock under the speaker housing.



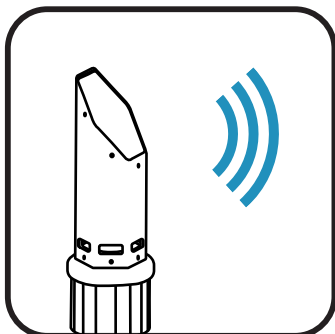
3. Tap Selection & Wiring

The speaker ships pre-set to the maximum 70.7V power setting (64 W). To adjust this setting to another 70.7/100V tap or to set the speaker to the 8Ω / transformer bypass setting, remove the rear cover plate. Select the tap position by adjusting rotary switch to desired value or transformer bypass mode. Install included cover plate with four included screws. Connect the Red (+) wire to the positive output terminal of your amplifier, and the Black (-) wire to the negative output terminal of your amplifier. Follow the diagrams above for complete 8 or 70.7/100V wiring setup.



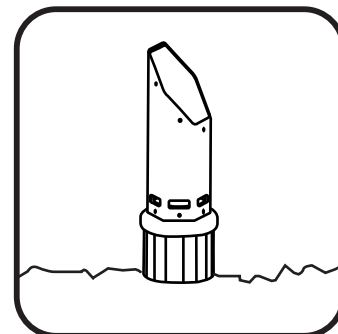
4. Test

Fully wire the rest of your system and test to make sure sound is coming from each unit.



5. Bury Speakers

Place your speakers in each hole, and aim in the desired direction. Begin filling back up. Be sure the speaker is deep enough in the ground that the wire(s) can be buried at least 2" below final landscaping. Pack down the dirt.



IMPORTANT: Remember to **NOT** cover the port with dirt so your speaker functions properly.

Limited Warranty

Rockustics by SoundTube warrants its loudspeakers to be free from defects in material and workmanship for a period of ten (5) years for Landscape Series speaker products and three (3) years for the electronic components to the original purchaser. Purchase must be made from an authorized SoundTube dealer.

This warranty does not cover service or parts to repair damage caused by misuse, abuse, damage while in transit, alterations, unauthorized repairs, failure to follow instructions, fire, flood, or any other cause beyond the reasonable control of SoundTube.

Defects in speaker cabinets or grilles must be brought to the attention of your dealer immediately after purchase. This warranty will be void if the products' serial number has been altered or removed.

Should your Rockustics by SoundTube product require service, please call the SoundTube customer service department for a return authorization. All merchandise returned to SoundTube without prior authorization will be refused. For your return authorization number, please call 913.663.5600 or email sales@soundtube.com