

## The Kramer T-RC-76/T-RC-78 TBUS Mounting Insert Kits for RC-76 and RC-78

Congratulations on purchasing your Kramer **T-RC-76/T-RC-78** TBUS Mounting insert kits for **RC-76** and **RC-78**. The **T-RC-76/T-RC-78** lets you add the **RC-76** and **RC-78** to TBUS inner frames that include dual power socket openings (such as the **TBUS-1AxI**, **TBUS-10xI** and **TBUS-18xI**).

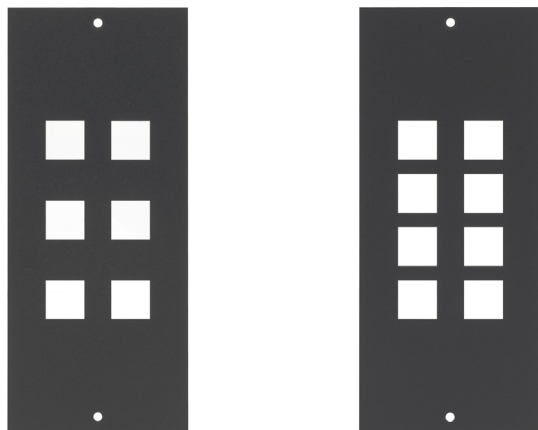


Figure 1: T-RC-76, T-RC-78 Insert Kits for RC-76 and RC-78 (P/N: 80-000080 and 80-000081, respectively)

### Installing the T-RC-76/T-RC-78 Insert Kits for RC-76 and RC-78



Note that the **T-RC-76** installation example also applies to the **T-RC-78**.

To install the **T-RC-76/T-RC-78** insert:

1. Unscrew the Decora front plate from the device.
2. Remove the two button cover plate mounting screws (see [Figure 2](#)) and remove the button cover plate. Put the screws aside.

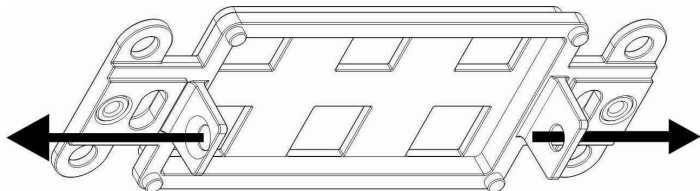


Figure 2: Removing the Button Cover Plate Mounting Screws

3. Fit the **T-RC-76** over the buttons of the **RC-76**; insert the two button cover plate mounting screws through the **T-RC-76** mounting bracket screw holes and tighten them (see [Figure 3](#)).

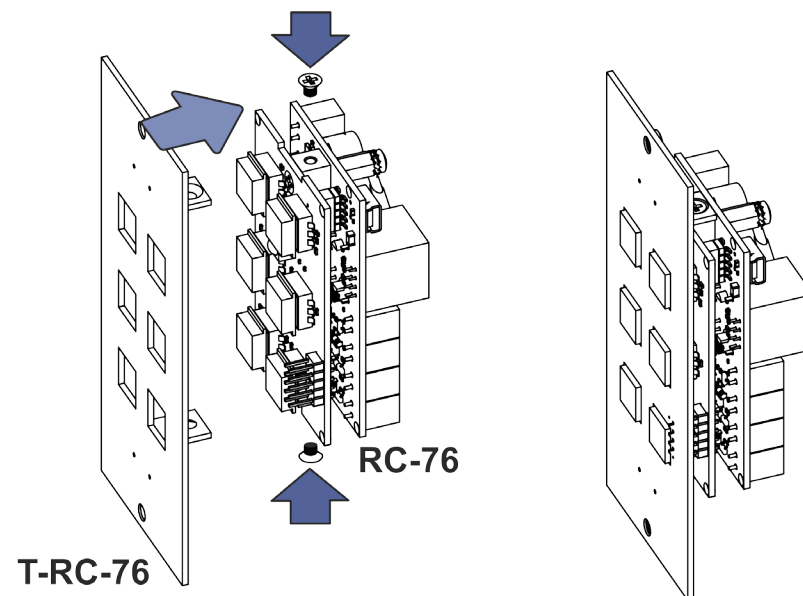


Figure 3: T-RC-76/T-RC-78 Installation

4. Place the assembled **T-RC-76 + RC-76** under the dual socket opening.
5. Insert the two screws (supplied with the kit) to fix the **T-RC-76/T-RC-78** in place, and tighten them.

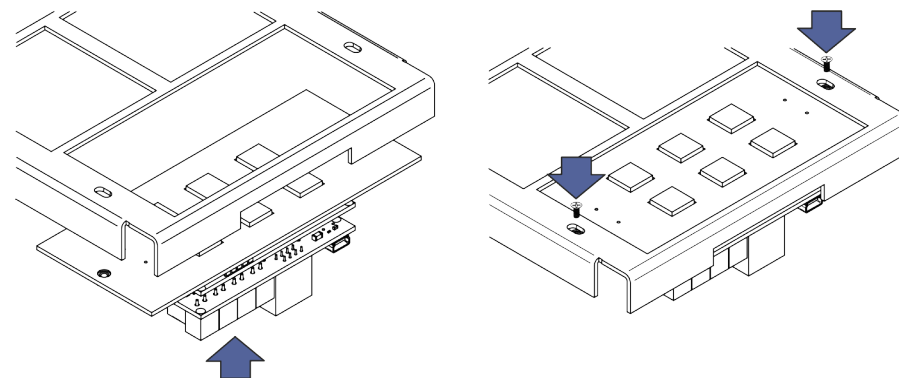


Figure 4: Fix the T-RC-76 in Place

6. Install the inner frame (when configuration is complete) according to the specific TBUS inner frame installation instructions.



KRAMER ELECTRONICS LTD.

# Installation Instructions

MODEL:

**T-RC-76, T-RC-78**

TBUS Mounting Insert Kits  
for RC-76 and RC-78

For the latest information on our products and a list of Kramer distributors, visit our Web site where updates to these installation instructions may be found

**We welcome your questions, comments,  
and feedback.**

Web site: [www.kramerelectronics.com](http://www.kramerelectronics.com)

E-mail: [info@kramereel.com](mailto:info@kramereel.com)

For more detailed  
information regarding  
this product scan the  
QR code:



**SAFETY WARNING**

Disconnect the unit from the power supply before opening and servicing

P/N: 2900-300290 Rev 1



P/N: 2900-300290



Rev: 1