

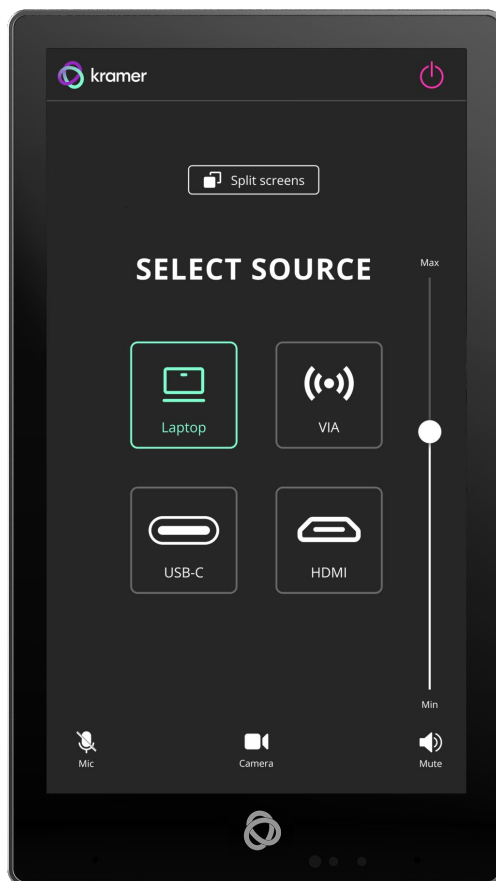


# USER MANUAL

## MODEL:

KT-205WM

5.5" Touch Panel



# Contents

|   |           |
|---|-----------|
| <b>Contents</b>   | <b>2</b>  |
| <b>Introduction</b>   | <b>3</b>  |
| Getting Started   | 3         |
| Overview  | 5         |
| <b>Defining KT-205WM 5.5" Touch Panel</b>                   | <b>6</b>  |
| On-Wall Mount   | 7         |
| <b>Mounting the KT-205WM</b>                                | <b>8</b>  |
| Mounting KT-205WM on a Wall                                 | 8         |
| Connection Options  | 9         |
| <b>Controlling KT-205WM</b>                                 | <b>10</b> |
| Using Navigation Buttons or Gestures                        | 10        |
| Using the Home Page   | 11        |
| Exiting or Starting the Kramer Control app                  | 11        |
| <b>Basic Settings of KT-205WM</b>                           | <b>12</b> |
| Essential First Steps                                       | 12        |
| Setting the Date and Time                                   | 12        |
| Connecting to Wi-Fi or Ethernet                             | 13        |
| Installing an 802.1X Certificate                            | 14        |
| Changing the Automated Firmware Update                      | 15        |
| Changing the Automated Kramer Control Agent Update          | 17        |
| Setting the Display and Keyboard Language                   | 18        |
| <b>Using the Kramer Control agent (connecting to Brain)</b> | <b>19</b> |
| <b>Advanced Settings</b>                                    | <b>20</b> |
| Factory Reset & Reboot                                      | 20        |
| Logging Activity  | 21        |
| <b>Technical Specifications</b>                             | <b>22</b> |

# Introduction

Welcome to Kramer Electronics! Since 1981, Kramer Electronics has been providing a world of unique, creative, and affordable solutions to the vast range of problems that confront the video, audio, presentation, and broadcasting professional on a daily basis. In recent years, we have redesigned and upgraded most of our line, making the best even better!

---

## Getting Started

We recommend that you:

- Unpack the equipment carefully and save the original box and packaging materials for possible future shipment.
- Review the contents of this user manual.



Go to [www.kramerav.com/downloads/KT-205WM](http://www.kramerav.com/downloads/KT-205WM) to check for up-to-date user manuals, application programs, and to check if firmware upgrades are available (where appropriate).

## Achieving Best Performance

- Use only good quality connection cables (we recommend Kramer high-performance, high-resolution cables) to avoid interference, deterioration in signal quality due to poor matching, and elevated noise levels (often associated with low quality cables).
- Do not secure the cables in tight bundles or roll the slack into tight coils.
- Avoid interference from neighboring electrical appliances that may adversely influence signal quality.
- Position your Kramer **KT-205WM** away from moisture, excessive sunlight and dust.

## Recycling Kramer Products

The Waste Electrical and Electronic Equipment (WEEE) Directive 2002/96/EC aims to reduce the amount of WEEE sent for disposal to landfill or incineration by requiring it to be collected and recycled. To comply with the WEEE Directive, Kramer Electronics has made arrangements with the European Advanced Recycling Network (EARN) and will cover any costs of treatment, recycling and recovery of waste Kramer Electronics branded equipment on arrival at the EARN facility. For details of Kramer's recycling arrangements in your particular country go to our recycling pages at [www.kramerav.com/social-responsibility/environment](http://www.kramerav.com/social-responsibility/environment).

## Safety Instructions

This unit is intended to be supplied by:

- UL / IEC 62368-1 certified PoE output power supply suitable for use at an ambient temperature of 40°C and an altitude of 2,000 m whose output meets ES1, and is rated 44-57 V DC, minimum 0.3 A.
- UL / IEC 62368-1 certified Class II power adapter suitable for use at an ambient temperature of 40°C and an altitude of 2,000 m whose output meets ES1, and is rated 12 V DC, minimum 1.0 A.



### Caution:

- This equipment is to be used only inside a building. It may only be connected to other equipment that is installed inside a building.
- For products with relay terminals and GPIO ports, please refer to the permitted rating for an external connection, located next to the terminal or in the User Manual.
- There are no operator serviceable parts inside the unit.
- Risk of explosion if the battery is replaced by an incorrect type. Wait one-half hour after switching off before handling parts.



### Warning:

- If not using PoE, use only the optional power cord that is supplied for the unit.
- Do not open the unit. High voltages can cause electrical shock! Servicing by qualified personnel only.



### Laser Safety:

- This product complies with FDA performance standards for laser products except for conformance with IEC 60825-1 Ed. 3., as described in Laser Notice No. 56, dated May 8, 2019.
- Date of manufacture: The date code shown at the bottom of the product label represents the manufacturing date of this laser product.



**CAUTION:** Invisible laser radiation when open. Avoid exposure to beam. Class 1 laser product. This system must be opened only by qualified technicians to prevent accidents caused by the laser beam.

**CAUTION:** Use of controls or adjustments or performance of procedures other than those specified herein may result in hazardous radiation exposure.



The ambient light sensor can automatically adjust panel brightness based on the environment. See Display Settings to enable automatic brightness.

The Laser proximity sensor will detect nearby motion to wake the panel up without requiring a touch.

---

## Overview

Congratulations on purchasing your **Kramer KT-205WM 5.5" Touch Panel**.

**KT-205WM** is a new powerful, 5.5 inch, IPS, multi-touch, touch panel with 720x1280 resolution. Elegantly designed for wall-mounted decorative room integration.

**KT-205WM** runs the latest Android 11, supports wired PoE (Power over Ethernet) and advanced Wi-Fi connectivity options. The touch panel has a built-in speaker and camera and comes with a wall mount. The touch panel is easy to assemble, with elegant wiring and secured mounting providing reliable operation and flexible deployment.

**KT-205WM** touch panel is ideal for any 24/7 Kramer-supported commercial AV or control applications and features a user-friendly, fully customizable graphical user interface configured by Kramer software.

## Exceptional Quality

- Superior User Experience – IPS 720x1280 hi-resolution screen with  $\pm 80^\circ$  horizontal and vertical wide viewing angles, ambient light sensor and proximity sensor with advanced 10 multi-touch points and 2-finger gesture capabilities.
- Powerful Processing – i.MX8M Plus Quad Core A53, 4GB RAM, 32GB ROM processing performance, smoothly running complicated media and graphics-rich applications, such as H.265 video and audio stream encoding and decoding.
- Flexible Services – Latest Android 11 operating system.

## Advanced and User-friendly Operation

- Easy Installation – Powering and connectivity via a single Ethernet cable.
- Optional Connectivity – Wireless Bluetooth 5 and connection to USB peripheral devices.
- Reliable Networking – Seamless switching between wired and wireless 802.11ac connectivity.
- Versatile Powering Options – PoE or power adapter (sold separately).
- Auto Sensing – Optimized performance and operation according to automatically detected LAN speed.
- Firmware Upgrade – Define automatic updates at a predefined time of day or update manually using the USB port.

## Typical Applications

**KT-205WM** is ideal for controlling user interfaces in meeting and conference rooms, boardrooms, and auditoriums.

# Defining KT-205WM 5.5" Touch Panel

This section defines KT-205WM.

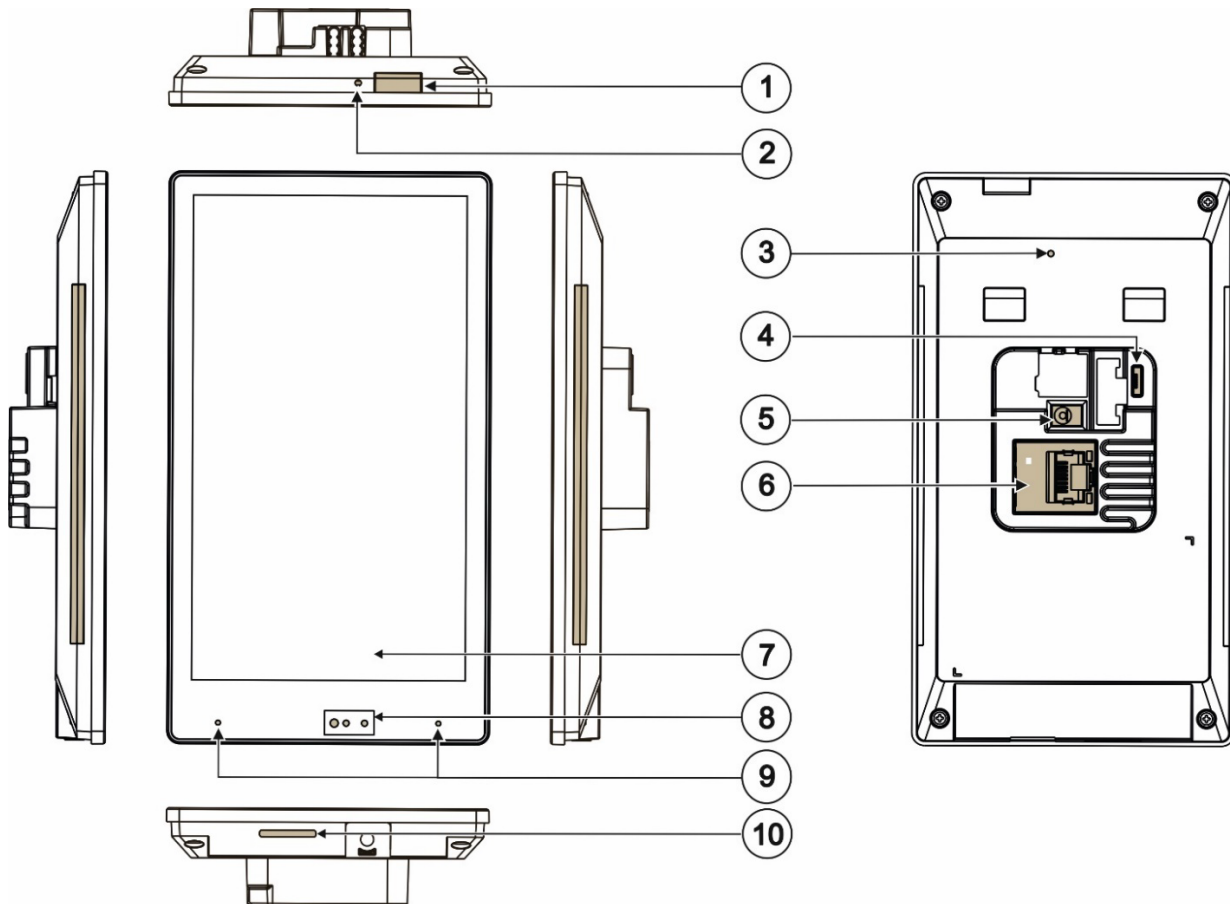


Figure 1: KT-205WM 5.5" Touch Panel

| # | Feature                      | Function   |
|---|------------------------------|--|
| ① | Home Button                  | Press to wake up / darken the screen.  |
| ② | Recessed Restart Button      | Located on the top-side. Insert a pin and hold for a few seconds to restart.   |
| ③ | Restore Factory Reset Button | Insert a pin and hold for 22 seconds to reset the device to factory default values.  |
| ④ | Micro USB Port               | For connecting to an adjacent on-wall USB device and for firmware upgrade.   |
| ⑤ | 12V/1A DC Connector          | Connect to the power adapter (optional, purchased separately).   |
| ⑥ | LAN 1G(PoE) RJ-45 Port       | Connect to the LAN for network communication.<br><b>KT-205WM</b> is powered by PoE (power over ethernet) delivered through the LAN port.<br>Optionally, you can connect the power adapter too (as backup). |
| ⑦ | Display                      | Touch panel.   |
| ⑧ | Light Sensor                 | Automatically adjusts the screen brightness according to the room lighting conditions.   |
| ⑨ | Microphone                   | For audio communication, recording or conferencing.  |
| ⑩ | Speaker                      | To output the sound.   |

# On-Wall Mount

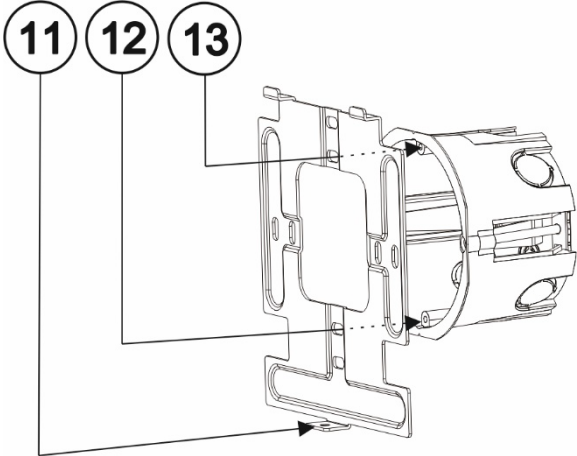



Figure 2: On Wall Mount


| #  | Feature            | Function   |
|----|--------------------|--|
| 11 | Screw Opening      | For securing the 5.5" Touch Panel to the wall mount bracket using the supplied M2.5 screw. |
| 12 | M3.2 Screw Opening | For securing the wall mount bracket to the gang box.                                       |
| 13 | M3.2 Screw Opening | For securing the wall mount bracket to the gang box.                                       |

# Mounting the KT-205WM

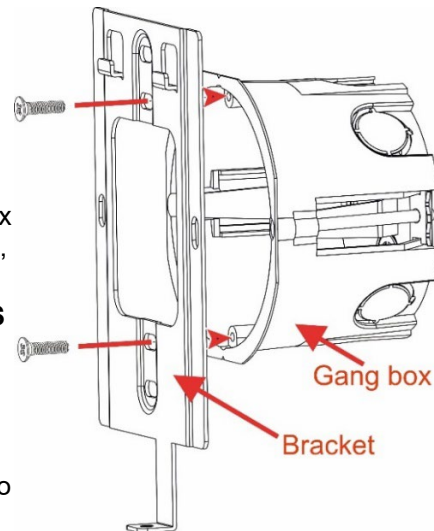
 Always be careful when attaching or removing the 5.5" Touch Panel from a mount.

## Mounting KT-205WM on a Wall

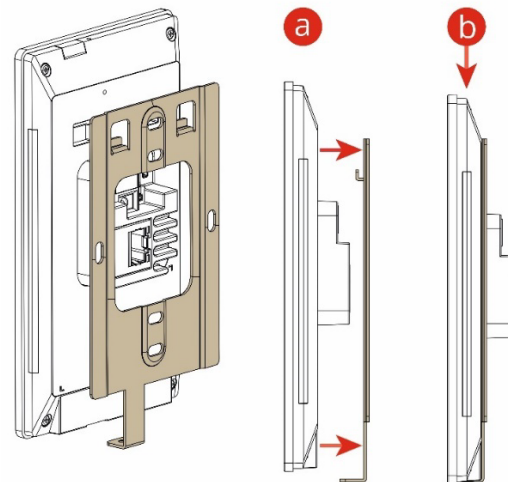
To mount the device on a wall:

 **KT-205WM can only be mounted in portrait mode.**

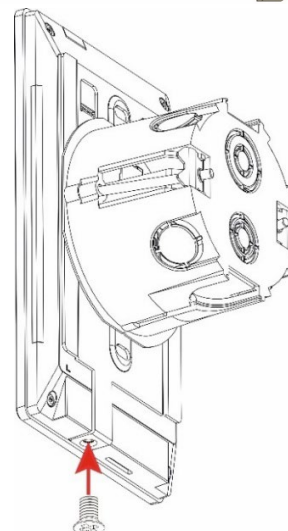
1. Install an in-wall gang box.
2. Attach the wall mount bracket to the installed gang box (top side up: see the indication arrows on the bracket), using two M3.2 screws provided.  
**The wall mount bracket works with UK, EU and US single gang boxes.** Screws are provided for all configurations.
3. Connect Ethernet and/or power cables and optionally, insert the micro-USB cable (supplied) for connecting to an adjacent external USB device.



4. Rest **KT-205WM** on the wall mount bracket:
  - a) Line up the top holders and the bottom mounting screw hole.
  - b) Push the touch panel down, snapping the top holders into place.




5. Insert one M2.5 screw below the touch panel and secure the touch panel to the wall mount bracket.



## Connection Options

Connect KT-205 to power using one or both of the following options:

1. Connect the PoE-enabled LAN RJ-45 connector to your local area PoE-enabled network.
2. Connect the power adapter to the 12V DC connector on the rear side. The power adapter is optional: It can be purchased separately.

 When both PoE and the power supply are connected to the touch panel, the unit is powered by the power supply.

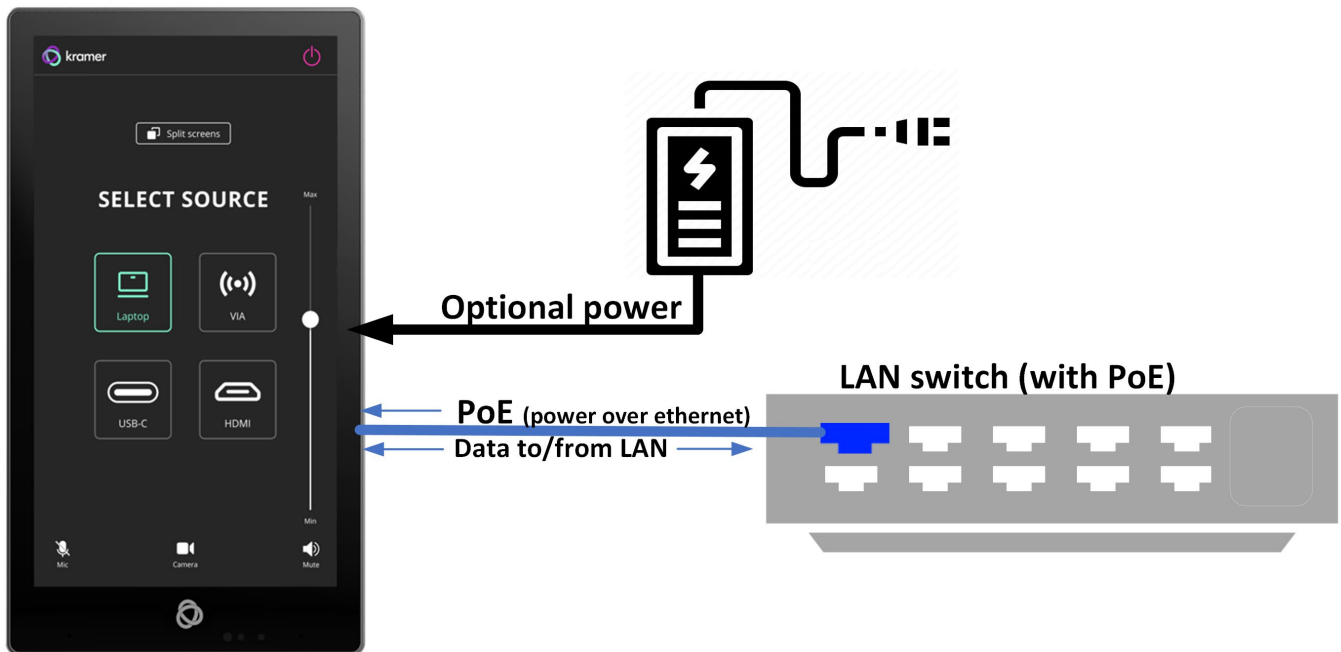


Figure 3: Powering the Touch Panel

# Controlling KT-205WM

## Using Navigation Buttons or Gestures

By default, **KT-205WM** runs the Kramer Control agent and displays its login screen at start-up. You can also use navigation buttons displayed at the bottom of the screen or setup your device to use gesture-based navigation.

### Using navigation buttons


Swipe a finger upwards from the line at the bottom of the screen and release to see the navigation buttons:

- ◀ - **Back** – Returns to the previous screen (or opens the home page if there is none).
- - **Home** – Opens the home page, see [Using the Home Page](#) on page [11](#).
- - **Recent apps** – Scroll between the active apps.

### Changing the navigation system

By default, navigation buttons are used, however the touch panel can be set to use gesture navigation instead.

To change the navigation method:


1. If the touch panel is running the Kramer Control agent, exit the Kramer Control agent by entering the PIN (default 9428). If the PIN button is not displayed, swipe up from the Kramer icon at the bottom of the screen to bring up the PIN entry pop-up.
2. On the Home page, press **Settings** . The device's **Settings** menu opens.
3. Select **Advanced settings > System**.
4. In the System menu, press **Gestures** and then **System navigation**.
5. Select **Gesture navigation** or **3-button navigation**. If you are using Gesture navigation, the sensitivity is adjustable.

### Using Gesture navigation

- **Back** – Drag a finger inwards from the left or right edge of the screen.
- **Home** – Swipe a finger upwards from the line at the bottom of the screen and release.
- **Recent apps** – Swipe a finger upwards from the line at the bottom of the screen and hold.

### Hiding the Navigation Bar

To hide/unhide the navigation bar:

1. On the Home page, press the **Settings** button . The device's **Settings** menu opens.
2. In the Settings menu, open **Player settings** and enable **Fullscreen mode**.

---

## Using the Home Page

Swipe a finger upwards from the line at the bottom of the screen and release to see the navigation buttons:

- - **Home** – Opens the home page.

The Home page contains the following icons:



- Chromium browser




- Touch panel settings



- Kramer Control Agent

---

## Exiting or Starting the Kramer Control app

KT-205WM comes with a **Kramer Control agent** (icon ) pre-installed app. The role of this app is to display an interface that you defined in Kramer Control.

When the touch panel starts, the Kramer Control agent runs automatically. To exit the Kramer Control agent, enter the PIN (default 9428). If the PIN button is not displayed, swipe up from the Kramer icon at the bottom of the screen to bring up the PIN entry pop-up.

To re-open the Control Agent click the  icon on the Home page.

During initial installation the k-agent app may need to be started manually the first time.

# Basic Settings of KT-205WM

---

## Essential First Steps

To exit the Kramer Control agent, enter the PIN (default 9428). If the PIN button is not displayed, swipe up from the bottom of the screen to bring up the PIN entry pop-up.

To re-open the Control Agent click the  icon on the Home page.

The following are essential first steps in using the touch panel:


1. **Set the device date and time;** [Setting the Date and Time](#) on page [12](#).
2. **Setup the Ethernet and/or Wi-Fi connections;** [Connecting to Wi-Fi or Ethernet](#) on page [13](#).
3. **Consider changing the time that the system checks for firmware (OS) updates;** [Changing the Automated Firmware Update](#) on page [15](#). By default, this is set to midnight, change it if you have no internet access at midnight or prefer another time.
4. **Consider changing the time that the system checks for Kramer Control (APK) updates;** [Changing the Automated Kramer Control Agent Update](#) on page [17](#). By default, this is set to midnight, change it if you have no internet access at midnight or prefer another time.
5. **Setup the Kramer Control agent's Launch URL;** See [Using the Kramer Control agent \(connecting to the Brain\)](#) on page [19](#).
6. **Change the display language** (if necessary); [Setting the Display and Keyboard Language](#) on page [18](#).

---

## Setting the Date and Time

The device arrives preset to New York time and you will need to set the correct time region.

To adjust the date and time settings:

1. If necessary, swipe up from the bottom of the screen to bring up the PIN entry pop-up and enter the PIN (default 9428).
2. On the Home page, press the **Settings** button . The device's **Settings** menu opens.
3. Select **Date & Time > Time zone**.
4. Set the correct **Region**. The time will display correctly.

## Connecting to Wi-Fi or Ethernet

Connect an Ethernet cable to the device or activate Wi-Fi and setup a connection to your Wi-Fi. If multiple network connections are used, Ethernet will be prioritized over any others.

If you are using 802.1X authentication, do [Installing an 802.1X Certificate](#) on page [14](#), before you connect to the internet.

### Connecting Ethernet

Ethernet connections must be plugged into the back of the device, see ⑧ in [Defining KT-205WM 5.5" Touch Panel](#) on page [6](#). By default, the IP address of the device is set automatically by a DHCP server.

#### Enabling 802.1X Authentication


1. Do [Installing an 802.1X Certificate](#) on page [14](#).
2. In the **Settings** screen, select **Network & Internet > Ethernet**.
3. Make sure the **Ethernet** is disabled and then enable **Security**.



802.1X authentication cannot be applied to active Ethernet connections

4. Select **802.1X settings** and input the **EAP** (Extensible Authentication Protocol) information. 802.1X authentication is enabled.


#### Using a Static IP Address

1. If necessary, swipe up from the bottom of the screen to bring up the PIN entry pop-up and enter the PIN (default 9428).
2. From the Home page, open the **Settings** screen .
3. In the Settings screen, select **Network & Internet > Ethernet**.
4. Press **Ethernet IP mode** and select **Static**.
5. Enter the IP information and press **Connect**.

The static IP address is setup.

### Connecting Wi-Fi

#### Enabling 802.1X Authentication

1. Do [Installing an 802.1X Certificate](#) on page [14](#).
2. From the Home page, open the **Settings** screen .
3. In the Settings screen, select **Network & Internet > Wi-Fi**.
4. Make sure **Use Wi-Fi** is enabled. The device will scan and list the Wi-Fi networks.
5. Select a Wi-Fi SSID, check **Advanced options** and enter the Wi-Fi information in the fields that appear, then press **Connect**.
6. If you are using 802.1X authentication, then add the certificate information.


802.1X is enabled.

## Installing an 802.1X Certificate

802.1X certificates enhance the security of network authentication. **KT-205WM** support .pem, .pfx and .p12 certificate formats.

Installing a certificate is a two-stage process: First import the certificate, then set it up.

### Importing an 802.1X Certificate

1. Copy the certificate file to an empty USB flash drive.
2. If necessary, swipe up from the bottom of the screen to bring up the PIN entry pop-up and enter the PIN (default 9428).
3. From the Home page, open the **Settings** screen .
4. Select **Advanced settings > Security > Encryption & credentials**.

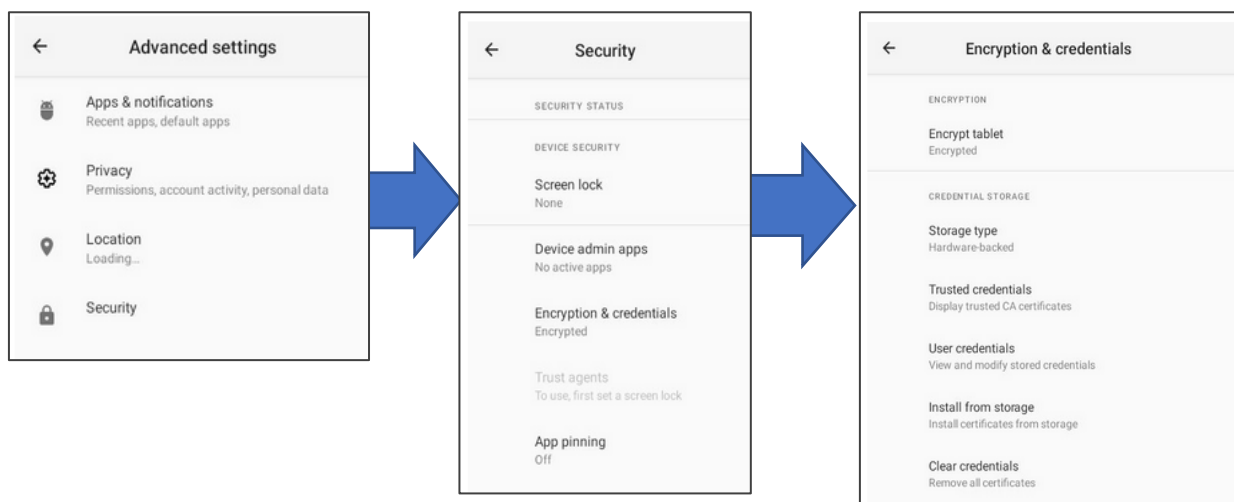




Figure 4: The path to Install from storage

5. In the Encryption & credentials screen, select **Install from storage**: The **Install a certificate** screen opens.
6. Select the **Wi-Fi certificate**: The **Recent** files screen opens.  
To browse to the file location, press the 3 lines  at the top left of the screen.
7. Select the credentials file and install it, some certificates require you to know a password.  
An 802.1X certificate is imported.

### Setting up an 802.1X Certificate

1. In the Settings screen, select **Network & Internet > Wi-Fi**.
2. Select **Install from storage**: The **Install a certificate** screen opens.
3. Select **Wi-Fi certificate** (also for Ethernet connections): The **Recent** files screen opens.  
To browse to the file location, press the 3 lines  at the top left of the screen.


802.1X certificate is set.

After installing the certificates, see [Connecting to Wi-Fi or Ethernet](#) on page [13](#) for instructions on using the certificates. Ethernet must be disabled before setting-up Ethernet certificates.

## Changing the Automated Firmware Update

KT-205 arrives preset to check for firmware (touch panel OS) updates at midnight. If an update is found, the device will download the update file and install it. If you prefer to run manual updates, you must manually download the update file and then install it in the touch panel.

### Changing the Time of the Firmware's Automated Update

1. If necessary, swipe up from the bottom of the screen to bring up the PIN entry pop-up and enter the PIN (default 9428).
2. From the Home page, open the **Settings** screen .
3. Select **Firmware update** and then select **Remote firmware upgrade URL**.

**Remote firmware upgrade URL** is the site from which the firmware is downloaded.

The upgrade URL (case sensitive):

<https://cdn.kramerav.com/web/apk/transformer-Kramer-AndroidR.xml>



Figure 5: The Firmware update page

4. A pop-up opens, inviting you to set the check time:

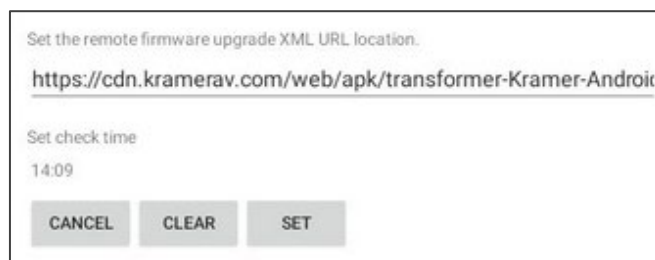


Figure 6: The Remote firmware upgrade URL page

5. To change the time that the system checks for updates, press **Set check time** and select a new time.
6. Press **OK** to close the window and then press **SET**.



**Changing (or clearing) the URL will disable the updates.**

The time of the automated firmware check is set.

## Manually Updating the Firmware


Manual firmware updates require a downloaded firmware file from Kramer.

The firmware upgrade process requires:

- An empty USB flash drive to store the firmware file.
- A micro-USB OTG (on the go) cable to connect the USB flash drive to the touch panel.
- Access to the back of the touch panel.

You may need to remove the touch panel from its mount for this purpose. The touch panel should remain connected to a power source such as PoE or the optional power adapter (see ©in [Defining KT-205WM 5.5" Touch Panel](#) on page 6).

**To upgrade the firmware:**


1. Download the firmware update file from the Kramer website at [www.kramerav.com/product/KT-205WM](http://www.kramerav.com/product/KT-205WM).
  - Verify that you are using the correct **KT-205WM** firmware file as there maybe more than one firmware file available.
  - Do not unzip the firmware update file.
2. Copy the firmware file to an empty USB flash drive.
3. On the touch panel, open the **Settings** screen .
4. Select **Firmware update** and then select **Firmware update** (again).
5. Plug the USB flash drive into a micro-USB OTG cable and connect the cable to the back of the touch panel.
6. Click **START FIRMWARE UPDATE**.

The firmware update will then begin.

## Changing the Automated Kramer Control Agent Update

KT-205 arrives preset to check for updates to the Kramer Control Agent at midnight every day. If an update is found, the device will download the update file and install it.

### Changing the time of the automated APK update check

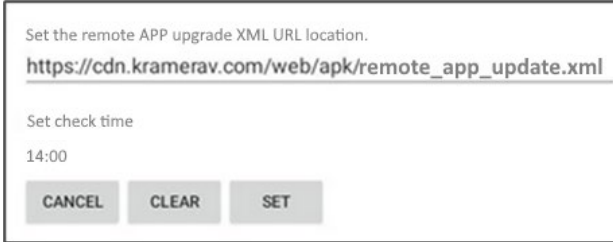
1. If necessary, swipe up from the bottom of the screen to bring up the PIN entry pop-up and enter the PIN (default 9428).
2. From the Home page, open the **Settings** screen .
3. Select **Remote APP upgrade URL**.

**Remote APP upgrade URL** is the site from which the APK is downloaded.

The upgrade URL (case sensitive) is:

[https://cdn.kramerav.com/web/apk/remote\\_app\\_update.xml](https://cdn.kramerav.com/web/apk/remote_app_update.xml)

4. A pop-up opens, inviting you to set the check time:



Set the remote APP upgrade XML URL location.  
[https://cdn.kramerav.com/web/apk/remote\\_app\\_update.xml](https://cdn.kramerav.com/web/apk/remote_app_update.xml)

Set check time  
14:00

CANCEL CLEAR SET

Figure 7: The Remote APP upgrade URL page

5. Press **Set check time** to select a new time.
6. Press **OK** to close the window and then press **SET**.




**Changing (or clearing) the URL will disable the updates.**

The time of the automated APK update check is changed.

---

## Setting the Display and Keyboard Language

To set your preferred interface language:

1. If necessary, swipe up from the bottom of the screen to bring up the PIN entry pop-up and enter the PIN (default 9428).
2. From the Home page, open the **Settings** screen .
3. Select **Language & input**.
4. Select **Languages**.
5. Press **Add a language** to select a language.
6. If you are using multiple languages, the order in which they are listed represents the priority assigned to them, change the order by dragging languages.

The keyboard language has been set.

# Using the Kramer Control agent (connecting to Brain)

K-Agent, Kramer's next-generation touch panel management software for Kramer Control & Session Manger providing enhanced remote administration capabilities for KT-20x Series Touch Panels.

For the full UM, click [here](#).

# Advanced Settings


---

## Factory Reset & Reboot

The **Settings > Reset** options menu enables you to perform a factory reset or to reboot the device, reset Wi-Fi or Bluetooth or reset app preferences.

### Resetting to Factory Default Parameters

To reset the device to its factory default settings:

1. If necessary, swipe up from the bottom of the screen to bring up the PIN entry pop-up and enter the PIN (default 9428).
2. From the Home page, open the **Settings** screen .
3. Select **Reset options > Erase all data (factory reset)**.
4. Press **Erase all data**.

Other options available are Reboot device, Reset Wi-Fi, mobile & Bluetooth and Reset app preferences.

### Resetting with the External Reset Button

Insert a pin into the pinhole on the back ③ (see [Defining KT-205WM 5.5" Touch Panel](#) on page 6) and hold for 22 seconds to reset the device to factory default values.

A second pinhole on the top ② restarts the device when a pin is inserted for a few seconds.


---

## Logging Activity

By default, the device does not log activity. Logging can be useful for debugging or monitoring use.

### Activating Logging

To activate logging:

1. If necessary, swipe up from the bottom of the screen to bring up the PIN entry pop-up and enter the PIN (default 9428).
2. From the Home page, open the **Settings** screen .
3. Select **Log > Log Location** and select one of Store to internal storage, Store to SD card or Do not store.

Logging is activated.

### Accessing an Internally Stored Log File

A USB flash drive and OTG cable are required to copy an internally stored log file.

To access an internally stored log file:

1. In the root directory of the flash drive, create a folder called “**\_dump\_debug\_log**”.
2. Connect the OTG cable to the micro-USB connection on the back of the device.
3. Connect the flash drive to the OTG cable.
4. The device will automatically download the log file to the USB device and issue a confirmation message “**Saved log file to USB storage**”.

The log is accessed.

# Technical Specifications

|   |                           |  |
|---|---------------------------|--|
| Ports   | 1 Micro USB               | On a Micro USB (AB) OTG connector                                      |
|   | 1 Ethernet                | On an RJ-45 female connector, 10/100/1000M with PoE 802.3at            |
| Platform  | Operating System          | Android Version 11   |
|   | CPU                       | ARM Quad Core Cortex-A53 up to 1.8Ghz (64 bit)                         |
| Memory  | RAM                       | LPDDR4 4GB   |
|   | Internal                  | 32GB eMMC (flash)  |
| Display   | Touch Panel Type          | Multi-touch  |
|   | Size                      | 5.5"   |
|   | Resolution                | 720x1280 RGB pixels<br>350cd/m2 brightness, 1000:1 contrast ratio      |
| Wireless Connectivity   | Wi-Fi                     | Wi-Fi 6, 802.11 a/b/g/n/ax/ax  |
|   | Bluetooth                 | BT 5.0   |
| Video   | Video Formats             | H.264, H.265, VC-1, MPEG-4, VP8, VP9                                   |
|   | Image Codecs              | JPEG, BMP, GIF, PNG  |
| Audio   | Speakers                  | 1x 1W  |
|   | Codecs                    | MPEG, OGG, AAC   |
|   | Microphone                | 2 built-in.  |
| Power   | PoE (Power over Ethernet) | 44 to 57V DC 0.3A<br>Complies with IEEE 802.3af PoE standard           |
|   | Optional Power Adapter    | 12V DC 1.0 A<br>Note: Operating temperature: 0~40°C                    |
| Controls  | Restart                   | On top, recessed   |
|   | Restore factory settings  | On back, recessed  |
|   | Home                      | In top   |
| LED   | Side-light                | Can indicate room status (requires 3 <sup>rd</sup> party integration). |
| Environmental conditions  | Operating Temperature     | 0~40°C (32~104°F)  |
|   | Storage Temperature       | -20~60°C   |
|   | Operating Humidity        | 5% to 85%  |
|   | Storage Humidity          | 5% to 90%  |
| Regulatory Compliance   | Safety                    | CE, FCC, UL, UKCA  |
|   | Environmental             | RoHs, WEEE   |
| Dimensions  | Touch Panel (W,D,H)       | 81mm x 25mm x 143mm / 3.15" x 0.98" x 5.63"                            |
|   | Wall Mount                | 1 gang   |
| Weight  | Touch Panel               | 0.2kg / 0.4lbs (approximate)   |
| Shipping carton   | Dimensions (W,D,H)        | 148mm x 78mm x 235mm / 5.83" x 3.07" x 9.25"                           |
|   | Weight                    | 0.5kg / 1.1lbs (approximate)   |
| Accessories   | Optional                  | Power adapter.   |
|   | Included                  | On-wall mount unit and screws  |
| Specifications are subject to change without notice at <a href="http://www.kramerav.com">www.kramerav.com</a> |                           |  |



**HDMI™**  
HIGH-DEFINITION MULTIMEDIA INTERFACE

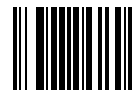


P/N:



2900-301657

Rev:



7



#### SAFETY WARNING

Disconnect the unit from the power supply before opening and servicing

For the latest information on our products and a list of Kramer distributors, visit our website where updates to this user manual may be found.

We welcome your questions, comments, and feedback.

The terms HDMI, HDMI High-Definition Multimedia Interface, and the HDMI Logo are trademarks or registered trademarks of HDMI Licensing Administrator, Inc. All brand names, product names, and trademarks are the property of their respective owners.